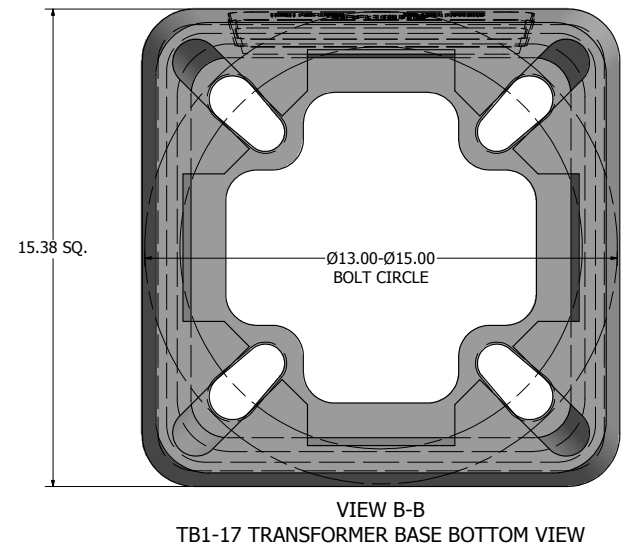
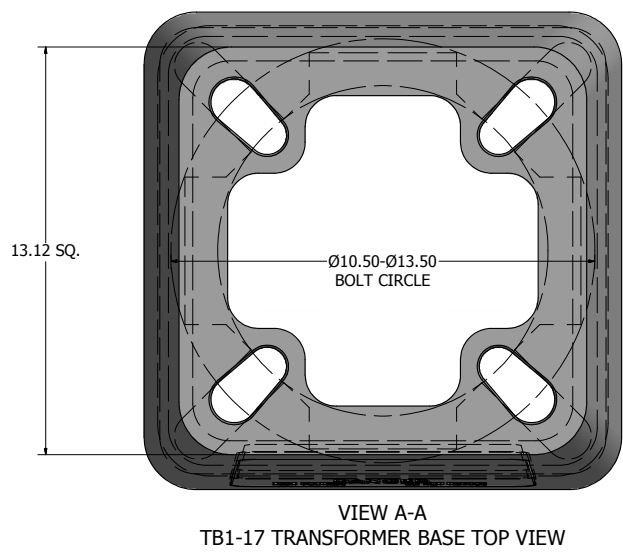
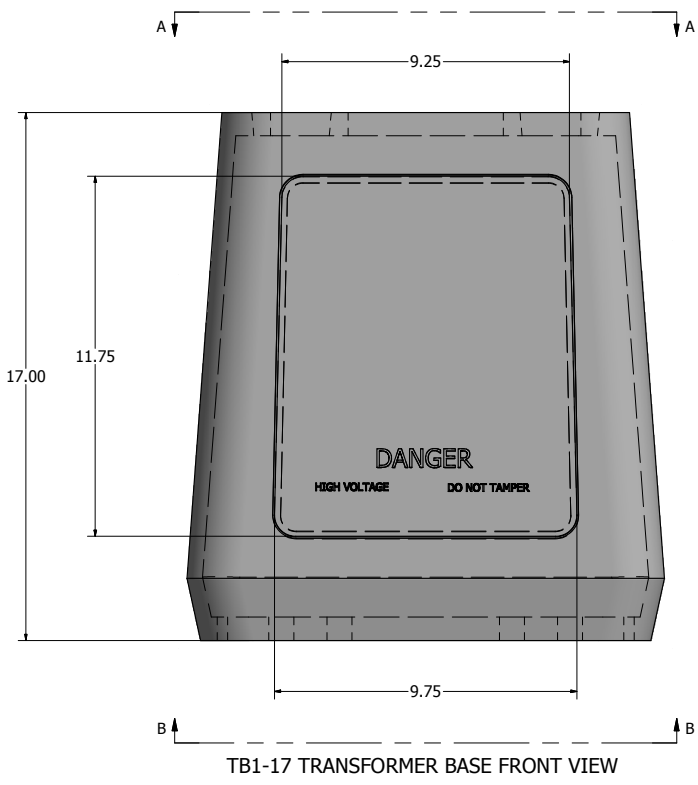


NOTE:
 APPROVED BY F.H.W.A. TO 1985 AASHTO REQUIREMENTS
 FOR Ø10.50 TOP BOLT CIRCLES USE Ø2.50 OD X Ø1.06 ID X .38 THK WASHERS
 FOR Ø13.50 TOP BOLT CIRCLES USE Ø2.75 OD X Ø1.31 ID X .50 THK WASHERS
 FOR Ø1.00 ANCHORAGE USE Ø2.75 OD X Ø1.06 ID X .50 THK WASHERS
 FOR Ø1.25 ANCHORAGE USE Ø2.75 OD X Ø1.31 ID X .50 THK WASHERS
 TORQUE GROUND MOUNTING NUTS TO 150 FT. LBS.



lyte poles
 a DSW company
 P.O. Box 340
 Eastpointe, MI 48021
 P: (586) 771-4610 | F: (586) 771-5527
 www.lytepoles.com

DRAWN: M. HARVALA	2/16/2015	SOME GEOGRAPHICAL AREAS HAVE SPECIAL WIND CONDITIONS THAT CAN CREATE WIND INDUCED VIBRATIONS CAUSING A FATIGUE PROBLEM. NO METHOD HAS YET BEEN FOUND FOR PREDICTING DESTRUCTIVE LIGHTING POLE VIBRATION. THESE CONDITIONS ARE UNIQUE AND CANNOT BE GUARANTEED AGAINST, AND ARE THE RESPONSIBILITY OF A LOCAL SITE ENGINEER.		
CHECKED:	DATE:			
REVISION:	DATE:			
APPROVED:				
QUOTE:				
S.O.#		TITLE:		
REF:	SCALE: NONE	CATALOG:		
		DWG NO: TB1-17	SIZE D	SHEET 1 of 1

